

A5 and A200 Models Technical Specifications

Arara A5 and A200 are the battery-free bicycle wheel-mounted lights powered by magnetic induction. Both models have the same dimensions (fig. 1) but differ in their charging/discharging curves (fig. 2).

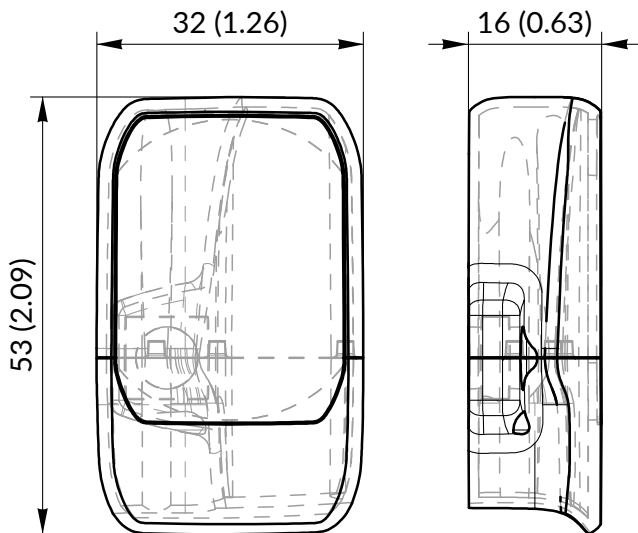


Figure 1 A5 and A200 dimensions in mm (inches)

Bicycle Compatibility compatible with any bicycle with spoke spacing ≥ 33 mm along the rim and a rim width ≤ 50 mm

Maximum Luminous Intensity 50 ... 700* mcd

Dimensions 32 × 53 × 16 mm
1.26 × 2.09 × 0.63 "

Weight approx. 20–25 g
0.70-0.88 oz (based on preproduction samples)

Operation Temperature -25 ... +40 °C
-15 ... +104 °F

Environmental Compliance CE (RoHS2)

* Actual luminous intensity I_V depends on the LED color, magnets clearance, rotational speed and wheel diameter.

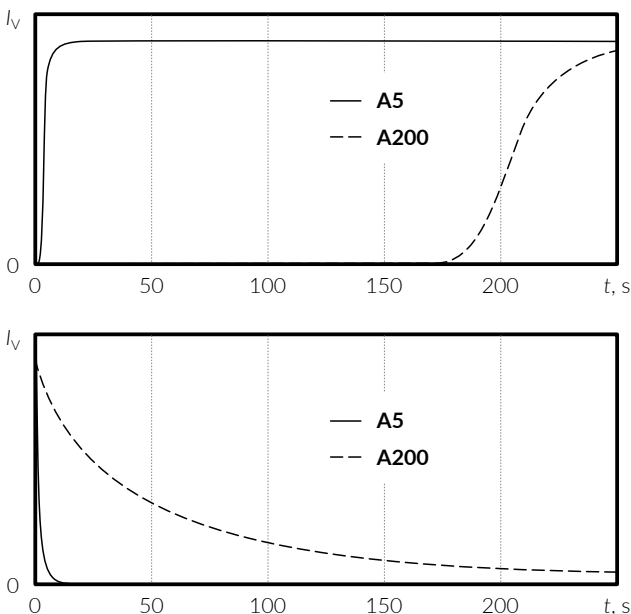


Figure 2 $I_V(t)$ of the A5 and A200 charging at constant RPM (top) and discharging (bottom) for red color*.

The information in this document is subject to change without notice.